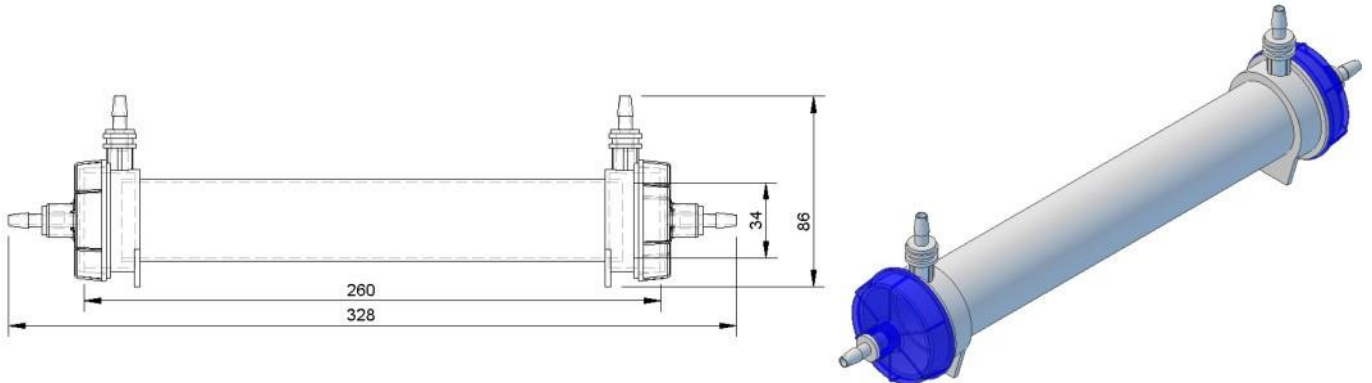


GTM XL

Art.-No.: 0510057

Abstract

Gas transfer module with 1.2m² inner surface area.



Membrane

Membrane material:

PMP-2, Polymethylpentene

Geometry (ID/OD):

180 µm/ 260 µm

Housing

Housing material:

Polycarbonate

Dimensions:

see drawing

ICS connectors:

2 x Hose Barb 6mm (Polycarbonate)

ECS connectors:

2 x Hose Barb 6mm (Polycarbonate)

Potting material:

Polyurethane

Module

Number of fibers:

8,900 ± 400

Package density:

~ 50 %

Active fiber length:

240 ± 4 mm

Inner surface area:

1.2 ± 0.1 m²

Outer surface area:

1.7 ± 0.1 m²

Intra capillary volume:

~ 58.8 ml

Extra capillary volume:

~ 108.9 ml

Max. operating pressure:

1.5 bar

Miscellaneous

Quality control:

100 % Integrity tested (housing + fiber)

Packaging:

single side sealed bag, double bagged

Sterilization:

γ-irradiation

Cautions

Storing:

dry, between 5 – 40 °C

Operating Temperature:

5 – 50 °C